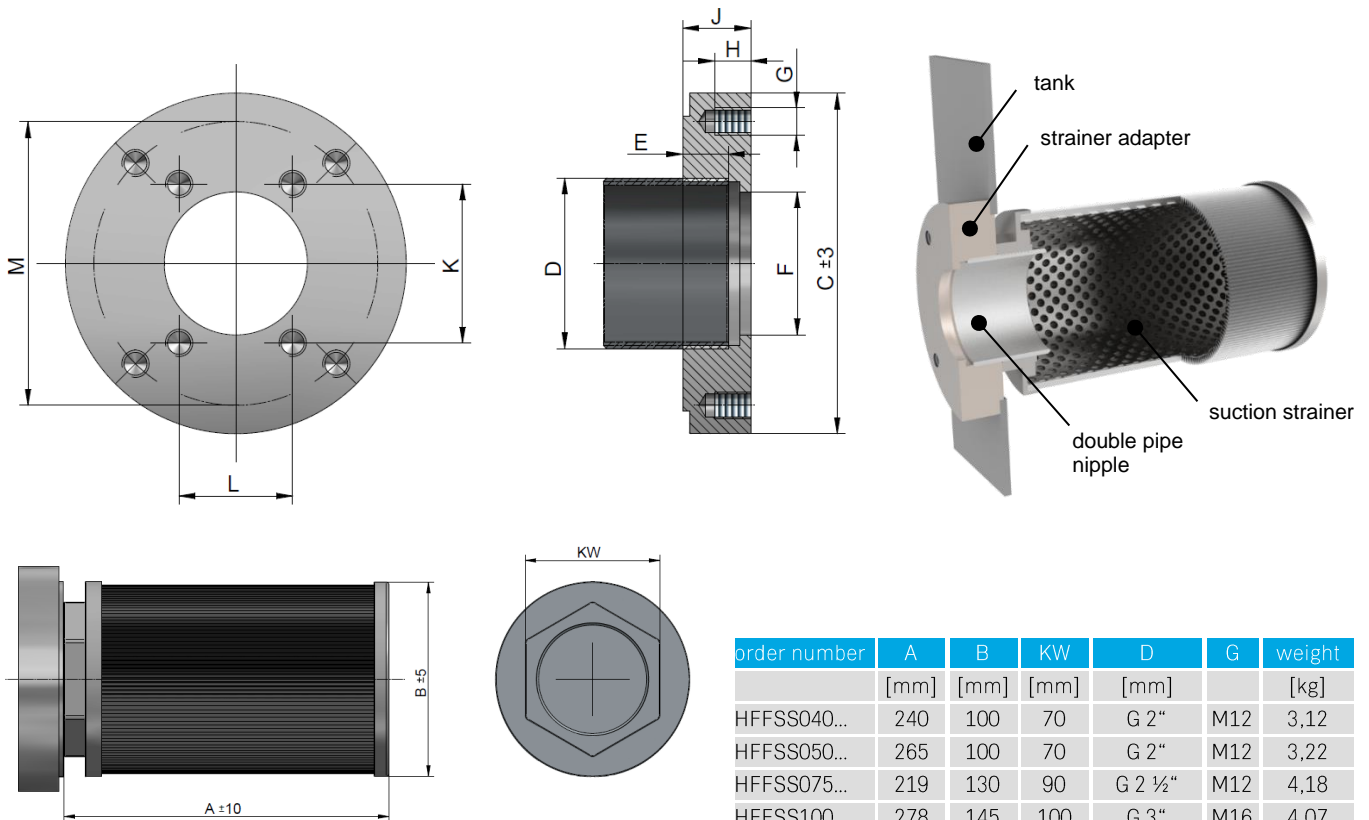


# Connection Technology

## Strainer Adapter



The new solution "asa-strainer-adapter" is another combination of functions. It is a simple and clever solution to create a flange connection on the tank with a suction strainer at the same time. The sales kit includes the welding adapter flange, a double nipple and our high duration suction strainer. In combination with our butterfly valves and compact expansion joints, we can offer the most compact tank to pump solution in the market. Contact us for further combinations and options at [support@asahydraulik.com](mailto:support@asahydraulik.com).



order number	A	B	KW	D	G	weight
	[mm]	[mm]	[mm]	[mm]		[kg]
HFFSS040...	240	100	70	G 2"	M12	3,12
HFFSS050...	265	100	70	G 2"	M12	3,22
HFFSS075...	219	130	90	G 2 ½"	M12	4,18
HFFSS100...	278	145	100	G 3"	M16	4,07
HFFSS150...	348	145	100	G 3"	M16	4,27

### Technical Data

order number	description	C	E	F	H	J	K	L	M
		[mm]	[mm]	[mm]	[mm]	[mm]	[mm]	[mm]	[mm]
HFFSS040BA040K	Strain.Adapt. BSP 2" 60lpm,AF-40	130	20	49	16	30	-	-	110
HFFSS050BA040K	Strain.Adapt. BSP 2" 100lpm,AF-40	130	20	49	16	30	-	-	110
HFFSS075BA063K	Strain.Adapt. BSP 2 ½" 150lpm,AF-50&63	150	20	63	16	30	-	-	125
HFFSS100BA080K	Strain.Adapt. BSP 3" 200lpm,AF-40	150	20	82	16	30	106,4	62	-
HFFSS150BA080K	Strain.Adapt. BSP 3" 300lpm,AF-40	150	20	82	16	30	106,4	62	-

### Material

flange material	1.0037
pipe nipple	steel
filter material:	
head	aluminium
end cap	steel
center tube	steel
wire mesh	stainless steel

### Filtration

150 microns      other ratings on request

### Temperature

working temperature    -25°C to +110°C

### Corrosion

delivery condition      oiled

### Compatibility

mineral oil based hydraulic fluids

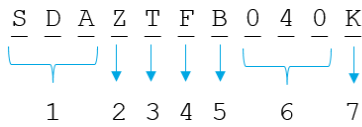
# Connection Technology

## Strainer Adapter

### Order Number Code/Options



### Strainer-Adapter Kit



#### 1 Product Series

SDA	Connection Technology
	Butterfly valve group

#### 2 Design Type 1

Z	Accessories
---	-------------

#### 3 Design Type 2

T	Oil tank
---	----------

#### 4 Design Type 3

F	Filter
---	--------

#### 5 Port Type

B	BSP
N	NPT

#### 6 Butterfly size

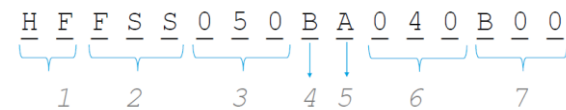
040	SDA0040
063	SDA0050 & SDA0063
080	SDA0080

#### 7 Customized

K	standard kit
B00	Special / customized specifications, to be advised



### Strainer-Adapter Kit with suction strainer



#### 1 Product Series

HF	Hydraulic filters
----	-------------------

#### 2 Design Type

FSS	Suction strainer series
-----	-------------------------

#### 3 Oil flow category

040	2" / 60 lpm
050	2" / 100 lpm
075	2 ½" / 150 lpm
100	3" / 200 lpm
150	3" / 300 lpm

#### 4 Port Type

B	BSP
N	NPT

#### 5 Port size of element

A	Adapter flange solution
---	-------------------------

#### 6 Butterfly size

040	SDA0040
063	SDA0050 & SDA0063
080	SDA0080

#### 7 Customized

K	Standard kit
B00	Special / customized specifications, to be advised



### Suction Unit Kit with strainer-adapter and suction strainer



#### 1 Product Series

SDAK	Connection Technology
	Suction line

#### 2 Suction line size

040	NG40 = 1 ½"
050	NG50 = 2"
063	NG63 = 2 ½"
080	NG80 = 3"

#### 3 Design Type

FSS	Adapter to suction strainer series
-----	------------------------------------

#### 4 Oil flow category

040	2" / 60 lpm
050	2" / 100 lpm
075	2 ½" / 150 lpm
100	3" / 200 lpm
150	3" / 300 lpm

#### 5 Port Type

B	BSP
N	NPT

#### 6 Options

0	no options
---	------------

#### 7 Customized

K	Standard kit
B00	Special / customized specifications, to be advised

