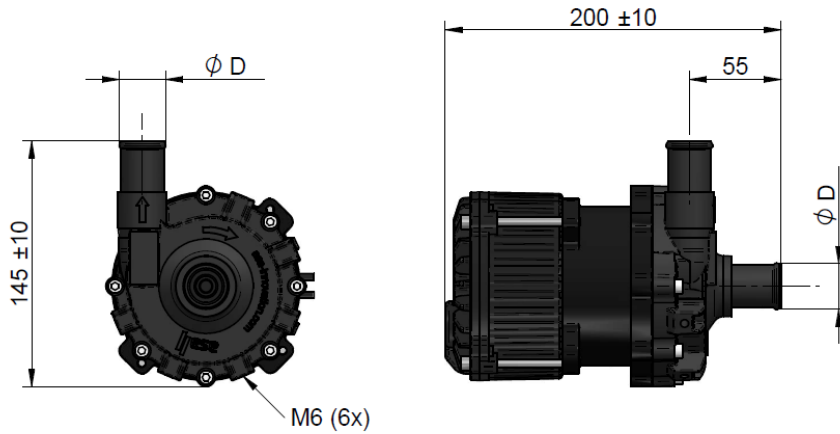
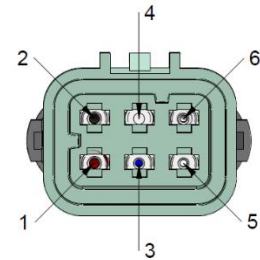


Product Description

The asa water pump is working to the centrifugal principle and uses a spiral housing with 1" and 3/4" hose connections, magnet coupling 24V DC brushless motor. The motor and the coupling are installed in an aluminium die cast housing. This motor/pump unit is mainly designed to create compact and cost efficient cooling circuits for electric devices such as battery packs, electric motors and power electronics like converters.



**Pump Connector:
Ducon 2.8 male**



PIN	function
1	24V
2	GND
3	diagnostic (output)
4	reserved, don't used
5	-
6	PWM (input)

Technical Data

order number	description	fuse	protection	flow rate	motor type	ØD	weight
		[A]		[l/min]			[kg]
ABPW090S20HP02K	Water pump 90 l/min 3/4" 24V HNBR	20	IP68	see charts page 3	brushless	3/4"	3,2
ABPW090S25HP02K	Water pump 90 l/min 1" 24V HNBR	20	IP68			1"	3,2

Materials

housing and cover	aluminium
sealing (medium side)	HNBR

Temperature

working temperature range	-20°C to +85°C
---------------------------	----------------

Control

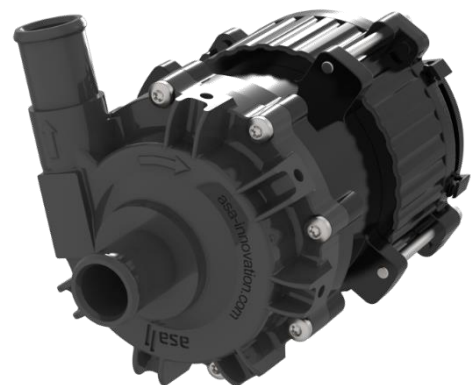
PWM signal	standard
connector type	Ducon 2.8 (optional mating connector order number: ESDU6P2.8K) pin 1: 24V pin 2: GND
power-on time	PWM 0 - 70%: S1 PWM 70 - 100%: 50% S3 60min
voltage,	20 V / 27,2 V / 32 V
power rating	390W
medium	water & water-glycol

Type Approval

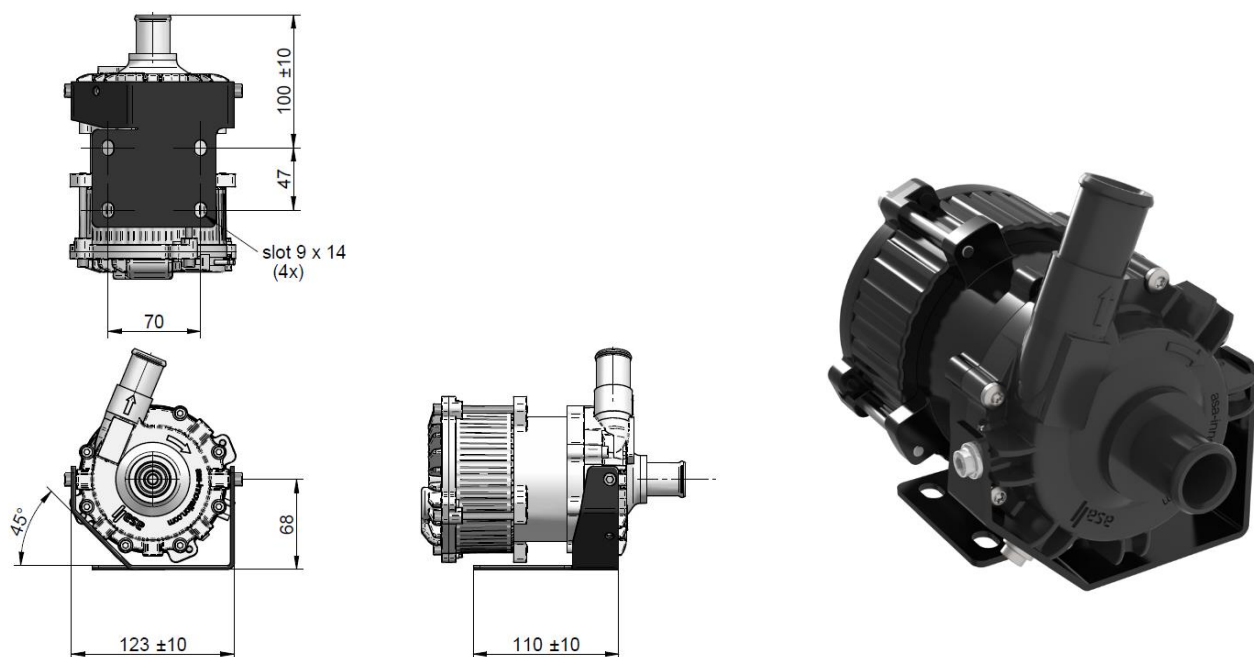
KBA (E1) 10R-05 9582

Safety process / Diagnostic output

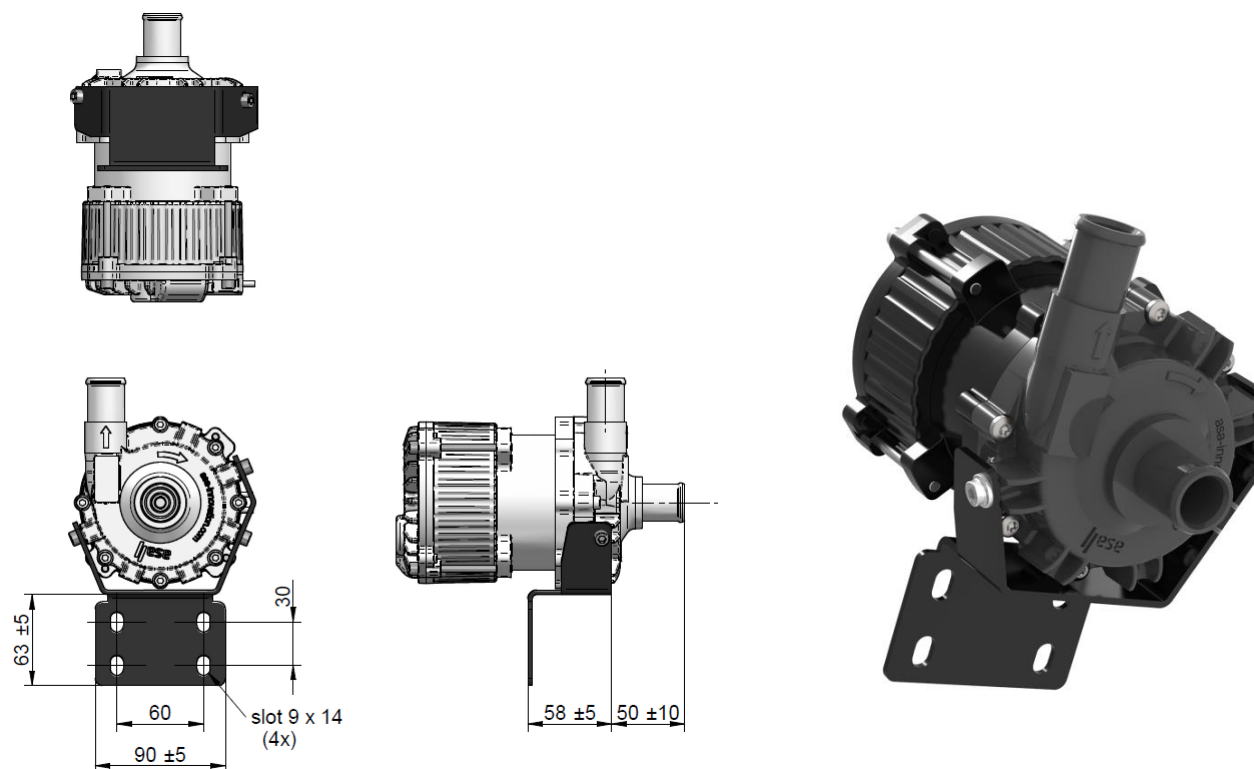
Duty cycle:	Definition:
40%	Pump is running dry
50%	Over current
70%	Over temperature
80%	Under- and Over voltage
100%	No error



1.) Mounting option B00



2.) Mounting option B01



This data sheet and the corresponding scale drawings are to be used as a general guideline and technical overview of our products. Please contact us if more exact information is needed. As we are constantly improving our products, their characteristics, dimensions and weights may also change, although we do our best to incorporate these changes continually. asa assumes no liability for any information therein, any errors, omissions, misprints, nor any direct or indirect damages, losses or costs resulting therefrom. Any cooling performances and general technical values indicated in this catalogue are measured at a test bench according to asa testing procedures or calculated, based on such tests. They represent a basis for your product selection. Due to different conditions in testing and application environments the performance may also vary by +/- 15%. All sound values are determined in accordance with ISO 9614-2, DIN EN ISO 11203 accuracy class 3 or Machinery Directive 2006/42/EG and are A-rated. At some of the performance data, possible differences to competition data are possible. The reason to that are no existing standardized testing procedures on individual subjects, e.g. for cooling performance measurements. Therefore, we recommend all products to be checked under the system operating conditions. This is also true of vibrations and mechanical stress as well as for pressure peaks and thermal stress and any other relevant factors. General tolerances according to DIN ISO 2768-VL. General tolerances for casted parts according EN ISO 8062-3 (DCTG 10). Tolerances for rubber parts are according to ISO 3302-1 (class M4-F+C). The tolerances of welding seams are defined by quality group D according to EN ISO 10042, if it is not specified on the actual scale drawing or data sheet. Any form of liability is excluded for the information included in this datasheet. All details and calculation values are checked to the best of our ability, but these do not ensure any intrinsic product properties; due to the wide-ranging possible applications, it is advised that all technical data herewith included be confirmed through testing carried out by the end-user. asa technology Produktions- und Vertriebs GmbH reserves the right to modify the product without any separate notification. This refers to both technical data and the product itself. Furthermore, it is herewith specified that the datasheet does not substitute the corresponding scale drawings, assembly and installation guidelines, nor the operating instructions.

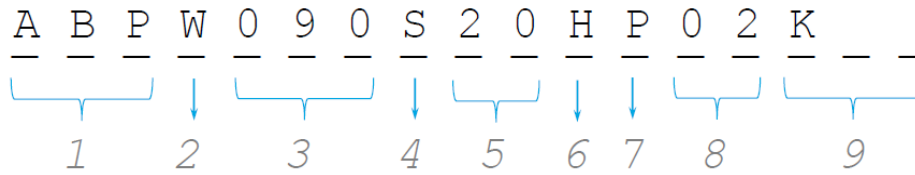
DD-ABPW030S25HP02K-en-rev6 © asa technology, May 2022 page 2/3

Fluid Controls

Water Pump Unit 24V DC



Order Code



1 Product Category

ABP Pumps

2 Product Series

W Waterpump

3 Displacement volume

090 90 l/min

4 Connection

S standard motor/pump

5 Dimensions

20 3/4"

25 1"

6 Sealing Material (medium side)

H HNBR

E EPDM (on request)

V FPM(Viton) (on request)

7 Control

P PWM

8 Voltage

01 12 V (on request)

02 24 V

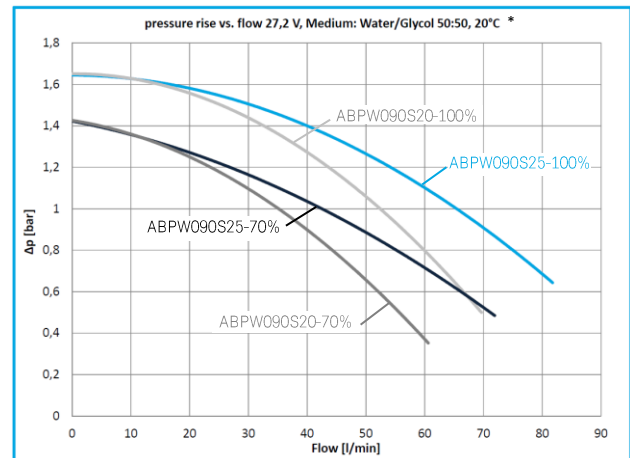
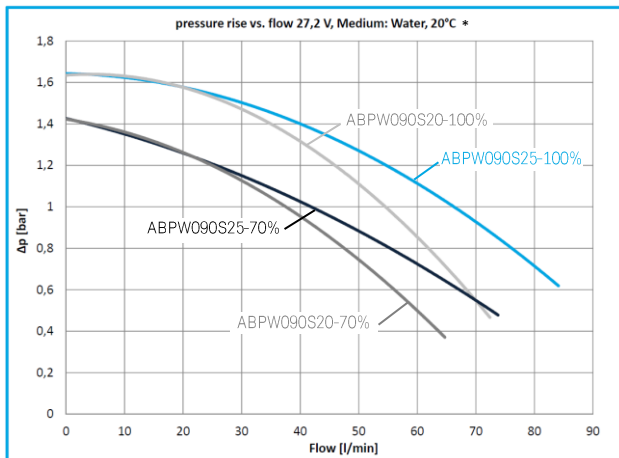
9 Index / Customized

K standard sales kit

B00 mounting option picture 1

B01 mounting option picture 2

BXX special / customized specifications; to be advised by asa



*) Tested and verified according asa standards on asa bench.