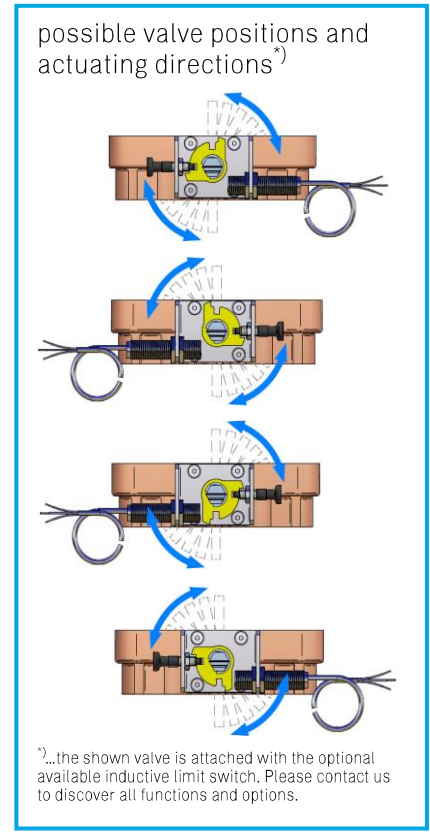
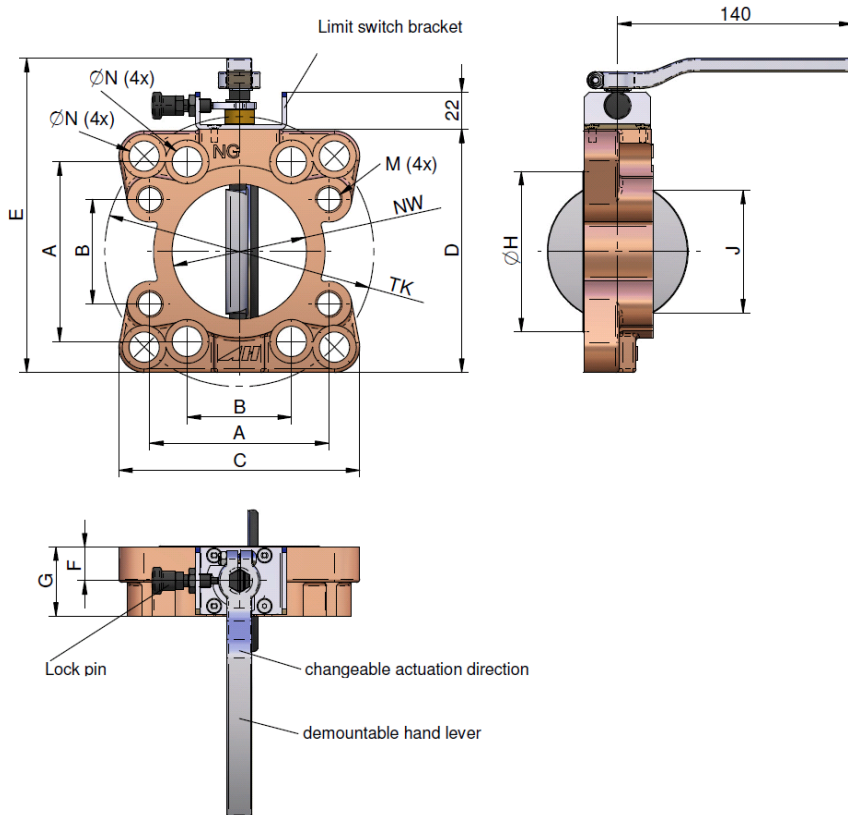


Butterfly Flange

SAE 1 1/2" to SAE 5"

The *asa* butterfly flange with SAE and DIN connections allows the combination with an elastic element (rubber compensator) to make a short compensating and economical connection with the pump port. The lever position can be changed through our new mechanism. The handle direction (clockwise or counter clockwise) can be changed by turning the switch bracket. Please note that the butterfly flange may only be opened in mounted state and with greased or lubricated sealing. The adapter flange may only be welded with demounted butterfly flange.



Technical Data

order number	description	size		A	B	C	D	E	F	G	ØH	J	M	ØN	NW	TK	weight
		SAE	DIN	[mm]	[mm]	[mm]	[mm]	[mm]	[mm]	[mm]	[mm]	[mm]	[mm]	[mm]	[mm]	[mm]	[mm]
SDA0040	AF 40	1 1/2"	40	70	35,7	102	120	162	25	43	60	23,5	M12	13,5	40	110	2,17
SDA0050	AF 50	2"	50	77,8	42,9	111	112	155	20	43	73	35,8	M12	13,5	48	125	2,20
SDA0063	AF 63	2 1/2"	65	89	50,8	111	119	161	20	40	83	55,3	M12	13,5	63	125	2,15
SDA0080	AF 80	3"	80	106,4	62	144	145	187	20	41	95	73,9	M16	18	80	160	2,98
SDA0100	AF 100	4"	100	130,2	77,8	163	162	205	20	43	123	98,2	M16	18	100	180	4,01
SDA0125	AF 125	5"	125	152,4	92	185	185	227	20	43	148	124,0	M16	18	125	210	4,80

Working Ranges

max. working pressure	7 bar (absolute)
max. differential pressure	6 bar
temperature range	-20°C to +80°C

Materials

housing	cast iron
lever	steel
valve disc	aluminium
seals	NBR

Options

limit switch	mechanical or inductive type
--------------	------------------------------

