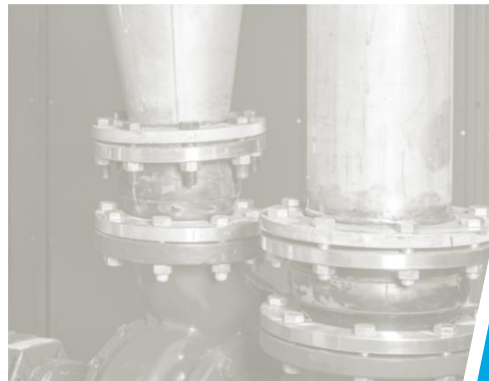




High Pressure rubber compensators

movement balance & noise reduction



**be different.
make a difference.**

High Pressure Compensators

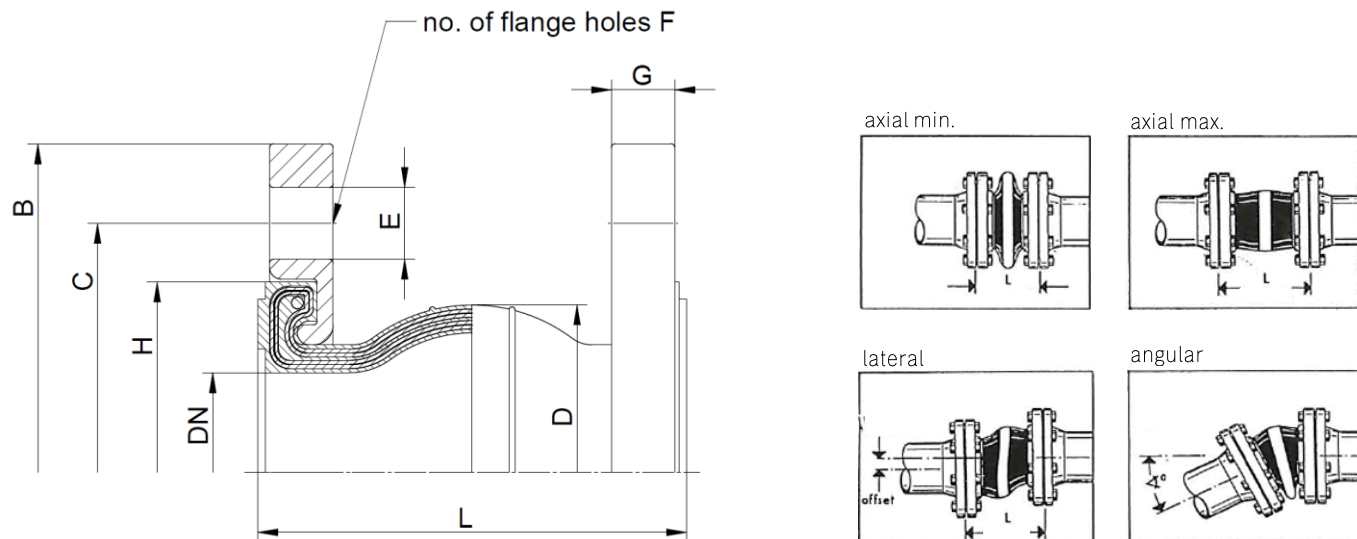
NG 25 to 500



The asa high pressure compensator series is carried out as high performance design with very flexible capabilities and long duration. It's high shape design focusses most compact flange to flange dimension and excellent noise reduction and vibration absorption as well as high movement tolerances in all directions.

The sealing part of the rubber is designed to seal without any additional sealing material. The turnable metal flanges are designed with a flare to support the pressure performance of the product. This is a major difference to other solutions in the market with direct impact to the high duration of the compensator.

Please read our manual before installation!



Technical Data

nominal size	nominal pressure*	L	D ∅	B ∅	C ∅	E	F	G	H ∅	axial**		lateral**	angular**	weight	
										min. [mm]	max. [mm]				
DN	PN [bar]	[mm]	[mm]	[mm]	[mm]	[mm]		[mm]	[mm]			+/- [mm]	+/- [°]	[kg]	
25	0 0	16	on request												
32	+2 -5	16	88	60	140	100	18	4	15	76	78	98	10	30	2,9
40	+2 -5	16	96	71	150	110	18	4	15	82	85	105	10	30	3,3
50	+2 -5	16	108	84	165	125	18	4	16	95,5	97	119	11	30	4,3
65	+2 -7	16	130	98	185	145	18	4	16	109	118	142	12	30	5,3
80	+2 -8	16	140	119	200	160	18	8	18	128	126	154	14	30	6,4
100	+2 -8	16	165	142	220	180	18	8	18	150	149	181	16	15	7,5
125	+2 -9	16	188	171	250	210	18	8	18	182	170	206	18	15	8,6
200	+2 -9	16	200	258	340	295	22	12	24	265	179	221	21	5	18,8
300	+2 -11	16	264	360	460	410	26	12	26	372	240	288	24	5	31,7
400	0 0	10	on request												
500	0 0	10	on request												

*... Depending on the fluid, a reduction of working conditions may be necessary. Please contact us for further assistance.

Acceptable load factors have to be considered:

up to 50°C – load factor up to 100% of movements

up to 70°C – load factor up to 80% of movements

up to 80°C – load factor up to 70% of movements

max. working pressure: 16bar

max. working pressure 12bar

max. working pressure 10bar

**... The given data are measured at room temperature of 22°C with new products in standard length and non swelling media. Any combination of the movement capabilities will have impact on the actual possible data and maximum pressure. Please contact us for assistance.

This data sheet and the corresponding scale drawings are to be used as a general guideline and technical overview of our products. Please contact us if more exact information is needed. As we are constantly improving our products, their characteristics, dimensions and weights may also change, although we do our best to incorporate these changes continually. asa assumes no liability for any information therein, any errors, omissions, misprints, nor any direct or indirect damages, losses or costs resulting therefrom. Any cooling performances and general technical values indicated in this catalogue are measured at a test bench according to asa testing procedures or calculated, based on such tests. Due to different conditions in testing and application environments the performance may also vary by +/- 15%. Because there is no standardized testing procedure, tests used by other manufacturers could have different results. Therefore we recommend all products to be checked under the system operating conditions. This is also true for vibrations and mechanical stress as well as for pressure peaks and thermal stress and any other relevant factors. General tolerances according to DIN ISO 2768-v. General tolerances for casted parts according EN ISO 8062-3 (DCTG 10). Tolerances for rubber parts are according to ISO 3302-1 (class M4-F+C). The tolerances of welding seams are defined by quality group D according to EN ISO 10042, if it is not specified on the actual scale drawing or data sheet. In addition to that we point out that any data sheet and corresponding scale drawing is no substitution for the manual.
DD-SDKHP-en-rev3

Acceptable vacuum pressure¹

DN	32	40	50	65	80	100	125	200	300	400	500
[bar]	-0,7	-0,7	-0,7	-0,7	-0,6	-0,4	-0,3	-0,3	-0,1	-	-

¹...The maximum acceptable elongation ($L_{max.}$) reduces the vacuum resistance by 50%. The given data are measured at room temperature of 22°C with new products in standard length and non swelling media.

Materials

rubber inside	NBR (nitrile), seamless, abrasion resistant
rubber reinforcement	PA textile cord
rubber outside	CR (chloroprene)
flange	galvanized steel (stainless steel 1.4404 on request)

Compatibility

mineral based oil, fuel ethanol blend e.g. E85 and DIN EN fuels up to 50% aromatic content

Temperature

depending on fluid, movement and pressure -20°C up to 80°C

Flange Type

DIN flange,	PN16 (size 32 to 300)
ANSI standard	ASA 300 on request

Article Code

S D K H D 6 D 6 0 2 0 0 N 0 0 B 0 0

1 2 3 4 5 6 7 8 9

1 Product Series

SDK Connection Technology - Compensators

2 Design Type

H High Pressure

3 Flange 1

D6 DIN Flange PN16
 A1 on request / ASA 150 (ANSI B16.5 150lb/in²)
 A3 on request / ASA 300 (ANSI B16.5 300lb/in²)
 others on request

4 Flange 2

D6 DIN Flange PN16
 A1 on request / ASA 150 (ANSI B16.5 150lb/in²)
 A3 on request / ASA 300 (ANSI B16.5 300lb/in²)
 others on request

5 Compensator Size DN

0025 to 0500

6 Rubber Material

	inside	outside
N	NBR	CR
others	on request	

7 Flange Material

0	standard galvanized steel
1	stainless steel 1.4404
others	on request

8 Special Purpose Options

0	no options
Vacuum support rings, tie rods and angular limiters on request	

9 Index / Customized

Bxx	special / customized specifications, to be advised by asa;
-----	--



**Thermal Systems
Connection Technology
Pumps**

**be different.
make a difference.**



AUSTRIA

asa hydraulik GmbH
Prager Strasse 280
A-1210, Vienna
Tel.: +43 1 292 40 20
support@asahydraulik.com

USA

asa hydraulik of America
160 Meister Avenue 20 A
Branchburg, New Jersey 08876
Tel.: +1 800 473 94 00
Tel.: +1 908 541 15 00
sales_us@asahydraulik.com

安飒液压科技（苏州）有限公司

asa Hydraulik Technology (Suzhou) Co.Ltd
江苏省苏州市工业园区方洲路128号6区B幢
Area 6, Building B,
Fangzhou Road No 128,
Suzhou industrial park,
Suzhou City, Jiangsu Province
Tel.: +86 512 62381988
suzhou@asahydraulik.com

AUSTRALIA

asa Products Pty Ltd
Bentley Street 4/15
3016 Williamstown, Victoria
Tel.: +61 3 9397 6129
melbourne@asahydraulik.com

INDIA

ASAHydraulik India Pvt Ltd
C1/109/9, GIDC, Palej, Dt.Bharuch
Gujarat - 392220
Tel.: +91 22 28195557
salesindia@asahydraulik.com