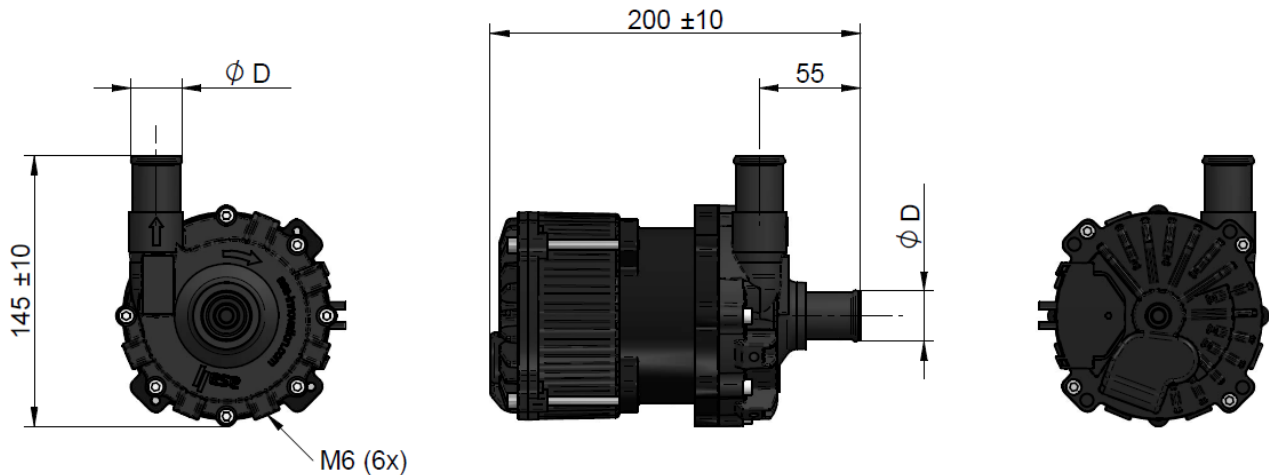


Product Description

The asa water pump is working to the centrifugal principle and uses a spiral housing with BSP 1" and BSP 3/4" hose connections, magnet coupling and 24V DC brushless motor. The motor and the coupling are installed in an aluminium die cast housing. This motor/pump unit is mainly designed to create compact and cost efficient cooling circuits for electric devices such as battery packs, electric motors and power electronics like converters.



Technical Data

order number	description	fuse	protection	max. flow rate	motor type	ØD	weight
		[A]		[l/min]			[kg]
APBW090S20H002K	Water pump 90 l/min 3/4" 24V HNBR	20	IP68	90	brushless	3/4"	3,2
APBW090S25H002K	Water pump 90 l/min 1" 24V HNBR	20	IP68	90		1"	3,2

Materials

housing and cover	aluminium
sealings	HNBR

Temperature

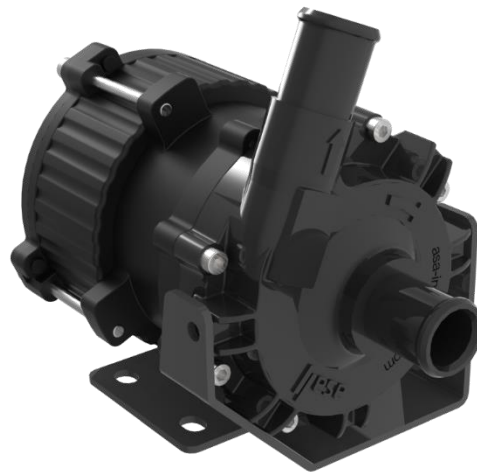
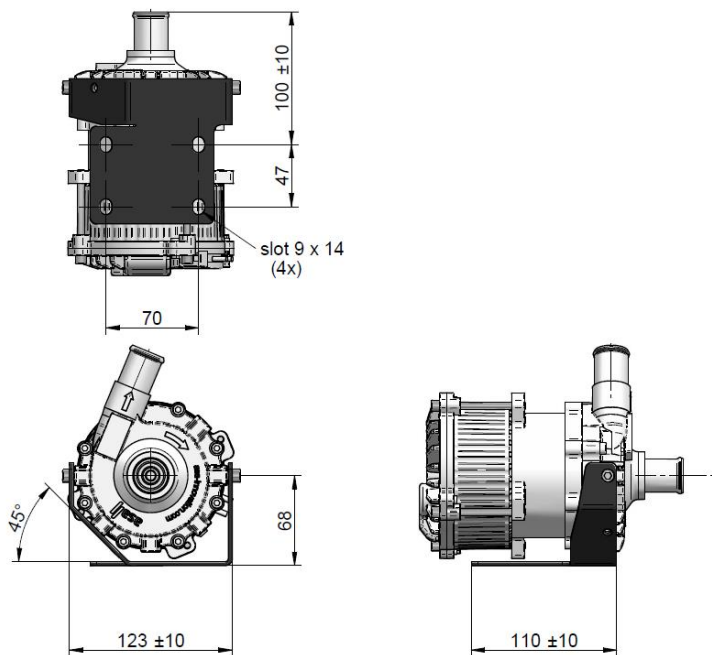
ambient temperature	-40°C to +85°C
---------------------	----------------

Control

on/off	standard
connector type	Ducon 2.8 pin 1: 24V pin 2: GND
PWM signal	on request
voltage, minimum/typical/maximum	20 V / 27,2 V / 32 V
power rating	390W
medium	water & water-glycol



1.) Mounting option B00



2.) Mounting option B01

