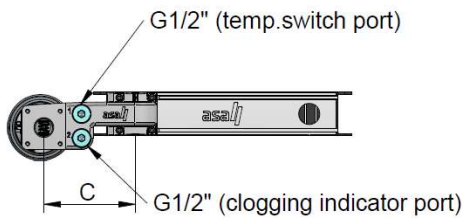
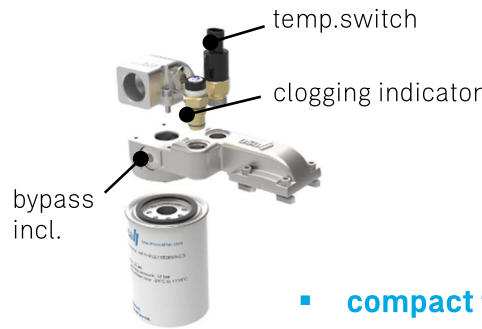
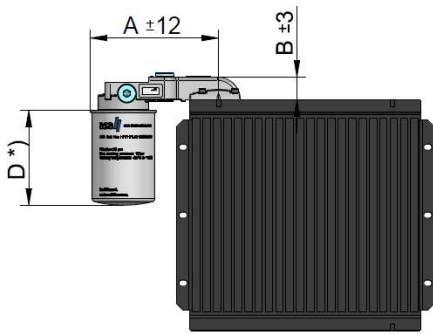


# Accessories

## System for Rail Series



The H-Set is an optional system to integrate another hydraulic set to the asa rail system. The H-Set currently offers 2 sizes of kits to mount a spin on filter to the cooler application. This is a very compact and cost efficient integration. This system can also be combined with various other filters or the shown configurations. Contact us for further options and assistance to select the optimal product for you.



- compact filter integration
- standard spin on filter
- compatible to whole rail series

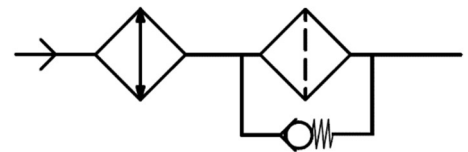
\*) depending on the make of the filter element

### Dimension

order number	description	filter rating	working pressure	bypass incl.	spin on port	A	B	C	D
		[µm]	[bar]	[bar]	[BSP]	[mm]	[mm]	[mm]	[mm]
ILLZRF11G2010	Spin on filter kit rail 10µm, 60lpm	10	10	2	3/4"	188	33	135	146
ILLZRF11G2025	Spin on filter kit rail 25µm, 60lpm	25	10	2	3/4"	188	33	135	146
ILLZRF12G2010	Spin on filter kit rail 10µm, 100lpm	10	10	2	3/4"	188	33	135	191
ILLZRF12G2025	Spin on filter kit rail 25µm, 100lpm	25	10	2	3/4"	188	33	135	191

### Rail-filter Block

material:	aluminium
working temperature range:	-20°C to +100°C (oil temperature)*
Sealing to rail flange:	o-ring NBR
bypass:	incl.2 bar standard setting



### Hydraulic Connection

compatible to	any rail system cooler
---------------	------------------------

### Application

main application	offline circuits, lubrication, cooling and filtration circuits
oil flow	from cooler to filter

### Options

temperature switches	ILLZTH5069K, ILLZTH4765K, ILLZTH6065K
clogging indicator / indication pressure 1,5 bar	electric: HFZVEG15K N.O. & N.C.contact optical: HFZVOG15K



\*...the indicated temperature is the maximum inlet temperature for the cooler radiator. Depending on the sealings in use, the application needs appropriate checking.