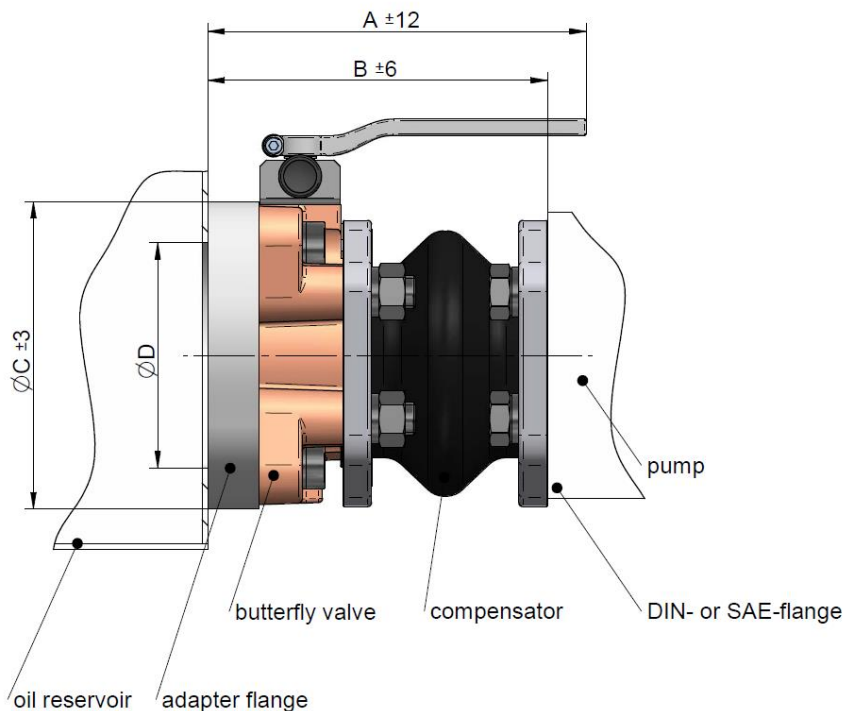


Suction Unit

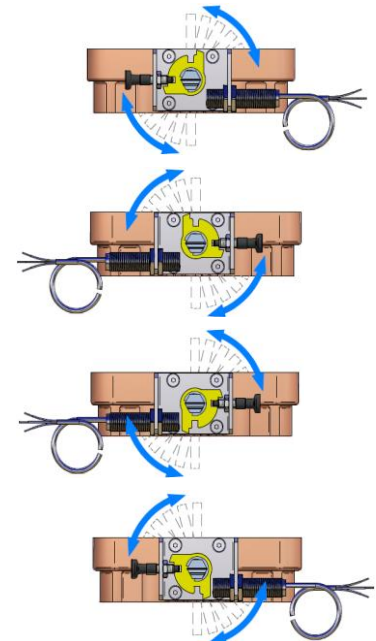
SAE 1 1/2" to SAE 5"



The **asa** suction unit has been developed to provide a compact unit in hydraulic systems. The **asa** butterfly flange with SAE connections allows the combination with an elastic element (rubber compensator) to make a short compensating and economical connection with the pump port. The **asa** suction unit is screwed to the **asa** adapter flange, which is welded to the tank. Due to low installation costs and compact design, purchasing **asa** suction units is cost effective. A switch (mechanical or inductive) can be mounted on the standard block for monitoring matters.



possible valve positions and actuating directions*)



*)..the shown valve is attached with the optional available inductive limit switch. Please contact us to discover all functions and options.

Technical Data

order number	description	size		A	B	C	D	weight
		SAE	DIN	[mm]	[mm]	[mm]	[mm]	[kg]
SDAK0040T	ESAF – 40	1 1/2"	40	185	168	130	89	5,20
SDAK0050T	ESAF – 50	2"	50	185	168	150	103	6,20
SDAK0063T	ESAF – 63	2 1/2"	65	185	165	150	103	6,40
SDAK0080T	ESAF – 80	3"	80	185	166	150	110	7,50
SDAK0100T	ESAF – 100	4"	100	185	168	180	140	9,80
SDAK0125T	ESAF – 125	5"	125	185	198	205	165	11,60

Working Ranges

working pressure range	0,2 – 1,5 bar absolute
temperature range	-20°C to +80°C

Material

butterfly valve housing	cast iron
valve disc	aluminium
Valve sealing	NBR
compesator flange	steel
compesator rubber inside	NBR
compesator rubber outside	CR
adapter flange	steel 1.0037 or 1.0570

Options

stainless steel version	on request
-------------------------	------------



This data sheet and the corresponding scale drawings are to be used as a general guideline and technical overview of our products. Please contact us if more exact information is needed. As we are constantly improving our products, their characteristics, dimensions and weights may also change, although we do our best to incorporate these changes continually, asa assumes no liability for any information therein, any errors, omissions, misprints, nor any direct or indirect damages, losses or costs resulting therefrom. Any cooling performances and general technical values indicated in this catalogue are measured at a test bench according to asa testing procedures or calculated, based on such tests. Due to different conditions in testing and application environments the performance may also vary by +/- 15%. Because there is no standardized testing procedure, tests used by other manufacturers could have different results. Therefore we recommend all products to be checked under the system operating conditions. This is also true for vibrations and mechanical stress as well as for pressure peaks and thermal stress and any other relevant factors. General tolerances according to DIN ISO 2768-VL, General tolerances for casted parts according to EN ISO 8062-3 (DCTG 10). Tolerances for rubber parts are according to ISO 3302-1 (class M4-F+C). The tolerances of welding seams are defined by quality group D according to EN ISO 10042, if it is not specified on the actual scale drawing or data sheet. In addition to that we point out that any data sheet and corresponding scale drawing is no substitution for the manual.