

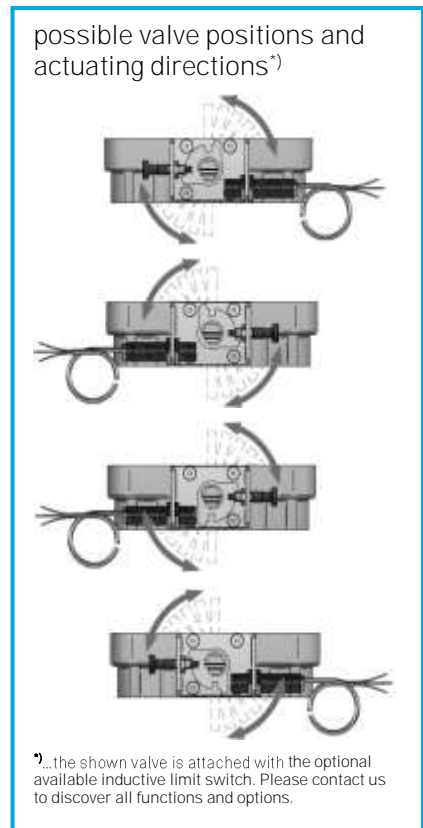
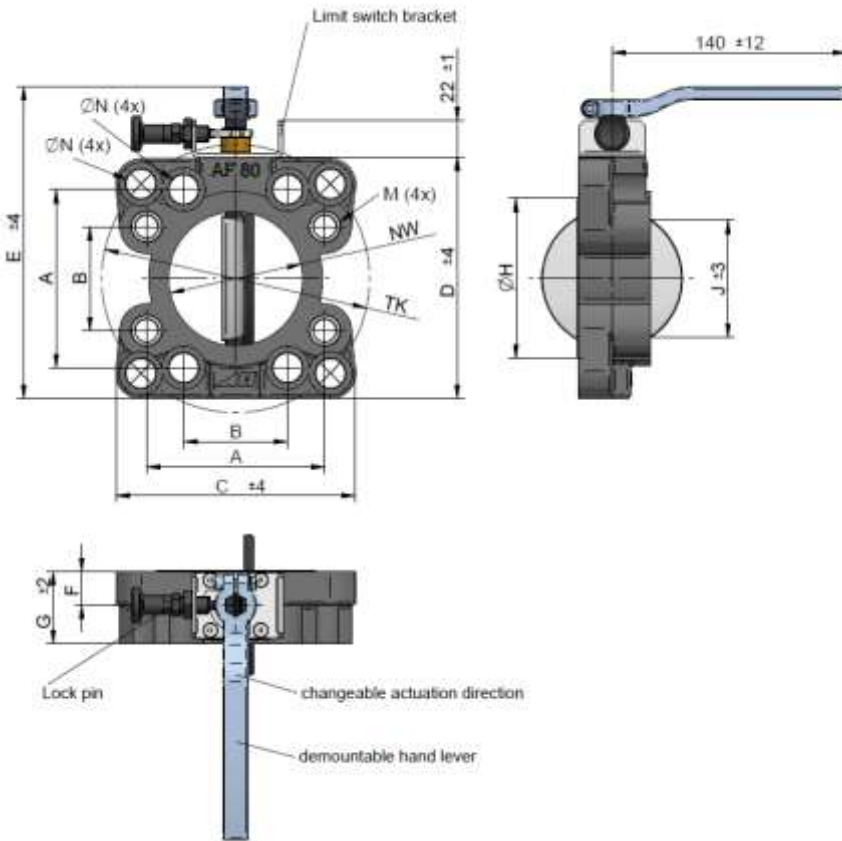
Butterfly Flange

SAE 1 1/2" to SAE 3" aluminium design



The asa butterfly flange with SAE and DIN connections allows the combination with an elastic element (rubber compensator) to make a short compensating and economical connection with the pump port. The lever position can be changed through our new mechanism.

The handle direction (clockwise or counter clockwise) can be changed by turning the switch bracket. Please note that the butterfly flange may only be opened in mounted state and with greased or lubricated sealing. The adapter flange may only be welded with demounted butterfly flange. Please contact us for further information at support@asahydraulik.com or www.asahydraulik.com.



Technical Data

order number	description	size	size	A	B	C	D	E	F	G	Ø H	J	M	Ø N	NW	TK	weight
		SAE	DIN	[mm]	[mm]	[mm]	[mm]	[mm]	[mm]	[mm]	[mm]	[mm]		[mm]	[mm]	[mm]	[kg]
SDA0040A	AF 40 Alu.	1 1/2"	40	70	35,7	103	122	164	25	43	60	6	M12	12,8	40	110	1,02
SDA0050A	AF 50 Alu.	2"	50	77,8	42,9	112	112	155	20	43	73	28	M12	13,0	50	125	1,05
SDA0063A	AF 63 Alu.	2 1/2"	65	89	50,8	111	119	161	20	43	83	51	M12	12,8	63	125	1,09
SDA0080A	AF 80 Alu.	3"	80	106,4	62	144	145	187	20	43	95	71	M16	17,5	80	160	1,48

Working ranges

max. over pressure (open valve)	16 bar
max. differential pressure (closed valve)	6 bar
temperature range	-20°C to +80°C

Materials

housing	aluminium
lever	steel
valve disc	aluminium
seals	NBR

Options

limit switch	mechanical or inductive type
FPM sealings	contact us for the Viton valve range
stainless steel	contact us for the stainless steel range
cast iron version	sizes 1 1/2", 2", 2 1/2", 3", 4", 5" on request



This data sheet and the corresponding scale drawings are to be used as a general guideline and technical overview of our products. Please contact us if more exact information is needed. As we are constantly improving our products, their characteristics, dimensions and weights may also change, although we do our best to incorporate these changes continually. asa assumes no liability for any information therein, any errors, omissions, misprints, nor any direct or indirect damages, losses or costs resulting therefrom. Any cooling performances and general technical values indicated in this catalogue are measured at a test bench according to asa testing procedures or calculated, based on such tests. Due to different conditions in testing and application environments the performance may also vary by +/- 15%. Because there is no standardized testing procedure, tests used by other manufacturers could have different results. Therefore we recommend all products to be checked under the system operating conditions. This is also true for vibrations and mechanical stress as well as for pressure peaks and thermal stress and any other relevant factors. General tolerances according to DIN ISO 2768-vL. General tolerances for casted parts according to EN ISO 8062-3 (DCTG 10). Tolerances for rubber parts are according to ISO 3302-1 (class M4-F-C). The tolerances of welding seams are defined by quality group D according to EN ISO 10042, if it is not specified on the actual scale drawing or data sheet. In addition to that we point out that any data sheet and corresponding scale drawing is no substitution for the manual.