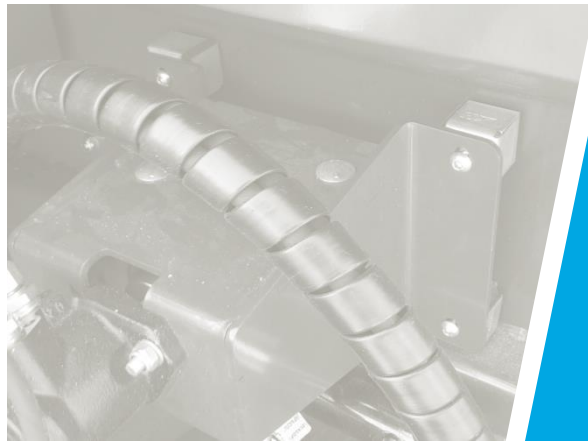
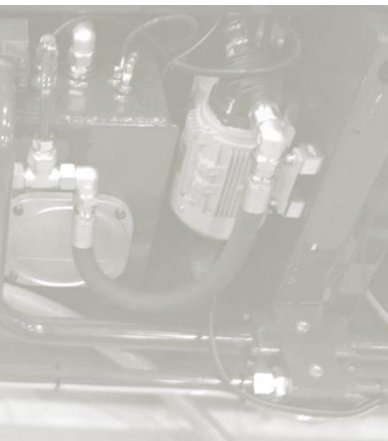




Connection Technology

MDGQ silent blocks

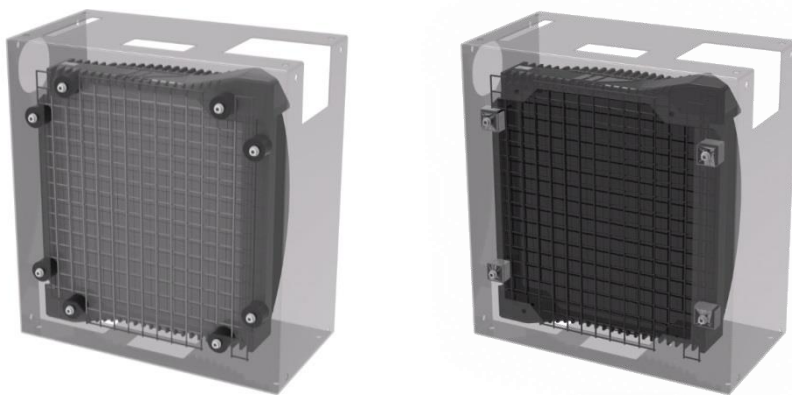


Innovation

Have you ever seen a company searching for bad technical solutions?

As a global technology group with its different technical categories we have a wide spreaded demand of technical solutions and products in the markets. When we find out that we are using an average solution or not even finding an appropriate product, we start developing it on our own!

The connection technology product group is therefore a collection of solved problems and completes a lack of technology at different markets and applications. Take a look at our systems and solutions and get in contact for any new possible project development!



8x



4x



- low shear loads
- short life time

- ✓ higher shear loads!
- ✓ long duration!

Example Rubber Vibration Absorbers:

This example shows the difference between the use of 8 cylindrical rubber shock absorbers compared to 4 of our new shock absorbers.

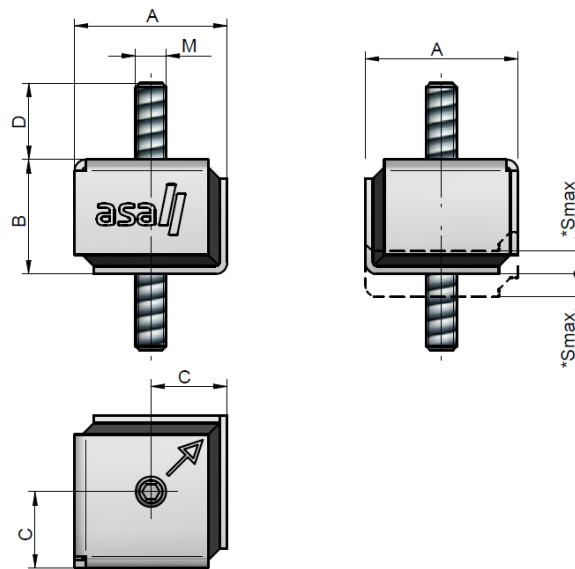
- On the left picture you can see the necessary use of 8 conventional absorbers to support a ~26kg unit. This configuration has still limited shear load capability followed by a short duration.
- The right picture shows a replacement of the 8 units with only 4 of our absorbers with the new design. This configuration allows even higher shear loads. As a result we reduce costs and raise the life time of the product at the same time.



Vibration Absorber MDGQ / Type A



The **asa** rubber vibration absorbers are rubber metal connected parts to absorb impact loads on components as protection and to extend the life time. The patented solution is especially equipped for highest shear loads. An assembly system controlled by arrows on the metal parts helps to optimize and raise the load capability of the vibration absorber.



*Smax.....maximum working distance

Dimensions

order number	description	A	B	C	D	M	Smax	shore	tightening torque	weight
		[mm]	[mm]	[mm]	[mm]		[mm]		[Nm]	[kg]
MDGQ403008AAK	Vibration Absorber 40 type A Kit	40	30	20	25 ±1	M8	± 3	45 ±5	6	0,16
MDGQ504510AAK	Vibration Absorber 50 type A Kit	50	45	25	33 ±1,5	M10	± 6	55 ±5	12	0,38
MDGQ755512AAK	Vibration Absorber 75 type A Kit	75	55	37,5	35 ±1,5	M12	± 8	55 ±5	20	0,75
MDGQ1007516AAK	Vibration Absorber 100 type A Kit	100	75	50	45 ±1,5	M16	± 9	65 ±5	50	2,10

for more information, see page 6

Material

absorber housing	zinc coated
threaded pin	stainless steel
elastomer	natural rubber
working temperature range	-30°C to +80°C

Options

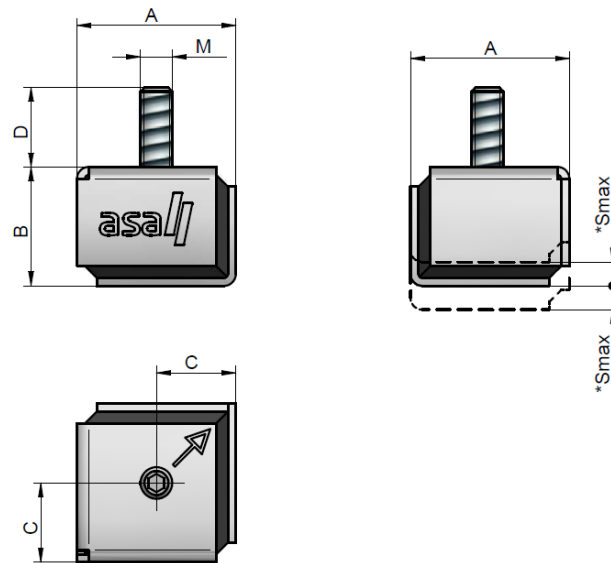
stainless steel type	MDGQ403008AAWK
----------------------	----------------



Vibration Absorber

MDGQ / Type B

The **asa** rubber vibration absorbers are rubber metal connected parts to absorb impact loads on components as protection and to extend the life time. The patented solution is especially equipped for highest shear loads. An assembly system controlled by arrows on the metal parts helps to optimize and raise the load capability of the vibration absorber.



*Smax.....maximum working distance

Dimensions

order number	description	A	B	C	D	M	Smax	shore	tightening torque	weight
		[mm]	[mm]	[mm]	[mm]		[mm]		[Nm]	[kg]
MDGQ403008AIK	Vibration Absorber 40 type B Kit	40	30	20	25 ±1	M8	± 3	45 ±5	6	0,14
MDGQ504510AIK	Vibration Absorber 50 type B Kit	50	45	25	33 ±1,5	M10	± 6	55 ±5	12	0,30
MDGQ755512AIK	Vibration Absorber 75 type B Kit	75	55	37,5	35 ±1,5	M12	± 8	55 ±5	20	0,70
MDGQ1007516AIK	Vibration Absorber 100 type B Kit	100	75	50	45 ±1,5	M16	± 9	65 ±5	50	2,00

for more information, see page 6

Material

absorber housing	zinc coated
threaded pin	stainless steel
elastomer	natural rubber
working temperature range	-30°C to +80°C

Options

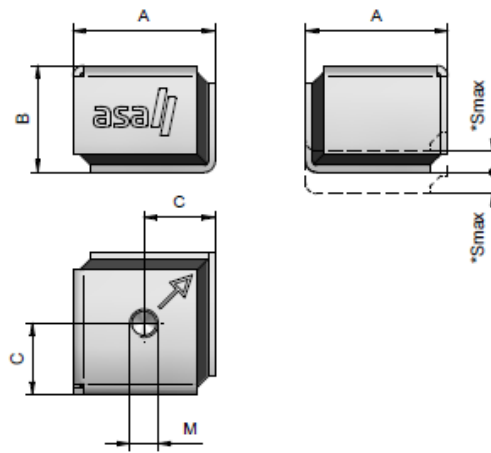
stainless steel type	MDGQ403008AIWK
----------------------	----------------



Vibration Absorber

MDGQ / Type C

The **asa** rubber vibration absorbers are rubber metal connected parts to absorb impact loads on components as protection and to extend the life time. The patented solution is especially equipped for highest shear loads. An assembly system controlled by arrows on the metal parts helps to optimize and raise the load capability of the vibration absorber.



*Smax.....maximum working distance

Dimensions

order number	description	A	B	C	M	Smax	weight
		[mm]	[mm]	[mm]		[mm]	[kg]
MDGQ403008IIK	Vibration Absorber 40 Kit	40	30	20	M8 x 10	± 3	0,13
MDGQ504510IIK	Vibration Absorber 50 Kit	50	45	25	M10 x 12	± 6	0,28
MDGQ755512IIK	Vibration Absorber 75 Kit	75	55	37,5	M12 x 15	± 8	0,66
MDGQ1007516IIK	Vibration Absorber 100 Kit	100	75	50	M16 x 16,5	± 9	1,90

for more information, see page 6

Material

metal	zinc coated
elastomer	natural rubber
working temperature range	-30°C to +80°C

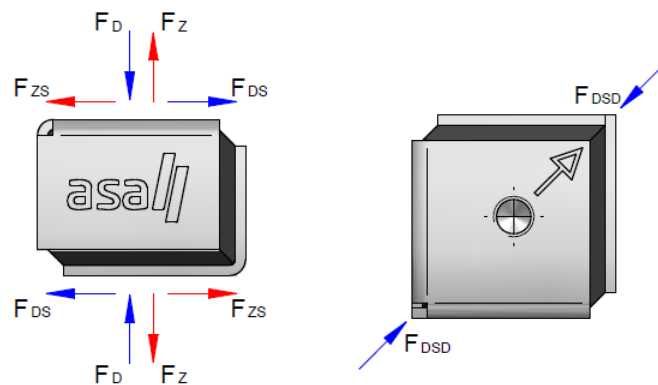
Options

stainless steel type	MDGQ403008IIWK
----------------------	----------------



Vibration Absorber

Load Capacities, Maximum Static Loads



order number	description	compression F_D	tension F_Z	compression/shear F_{DS}	tension/shear F_{ZS}	compression/shear diagonal F_{DSD}
		[N]	[N]	[N]	[N]	[N]
MDGQ403008IIK	Vibration Absorber 40 Kit	800	250	700	350	950
MDGQ504510IIK	Vibration Absorber 50 Kit	2000	1450	1550	1500	2250
MDGQ755512IIK	Vibration Absorber 75 Kit	4250	2250	2600	2200	3850
MDGQ1007516IIK	Vibration Absorber 100 Kit	11700	8800	6900	6350	8350

Spring Rates

order number	description	compression C_D	tension C_Z	compression/shear C_{DS}	tension/shear C_{ZS}	compression/shear diagonal C_{DSD}
		[N/mm]	[N/mm]	[N/mm]	[N/mm]	[N/mm]
MDGQ403008IIK	Vibration Absorber 40 Kit	267	83	233	117	317
MDGQ504510IIK	Vibration Absorber 50 Kit	333	241	258	250	375
MDGQ755512IIK	Vibration Absorber 75 Kit	531	281	325	275	481
MDGQ1007516IIK	Vibration Absorber 100 Kit	1301	982	770	709	932

Assembly Instructions

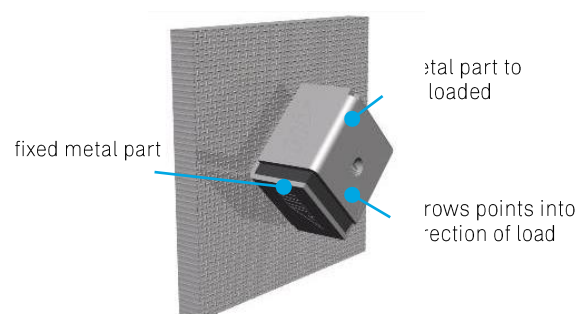
assembly of 4 vibration absorbers::



all 4 arrows have to point towards the middle



best mounting position:



Other Products

Thermal Systems/Standard Ranges

Our standard oil/air cooler range is still setting the bench mark in the markets. We offer short lead times and the densest program of pressure resistant coolers with all relevant features. Our internal bypass options and pollution resistant air fins are well known in the market and work globally, in various conditions.

The versatility of our patented connection solutions are the best choice to gain from the system itself, as well as to add on values to the end product.

- **1 to 800 lpm**
- **quality through standardization**
- **high duration most dense cooler and option range**



Thermal Systems/H-Ranges

PWC is our design philosophy, using our patented systems to integrate various functions in a hydraulic circuit out of standard modules into a customized product. This merges asa's well known flexible systems and engineering capabilities to gain real cost and space reduction, through simplification of parts and variable functions, to any application.

The system integration is defined by the required functions based on a cooling station, docking one or more variable sets.

- **real compact design**
- **cost saving**
- **one system**

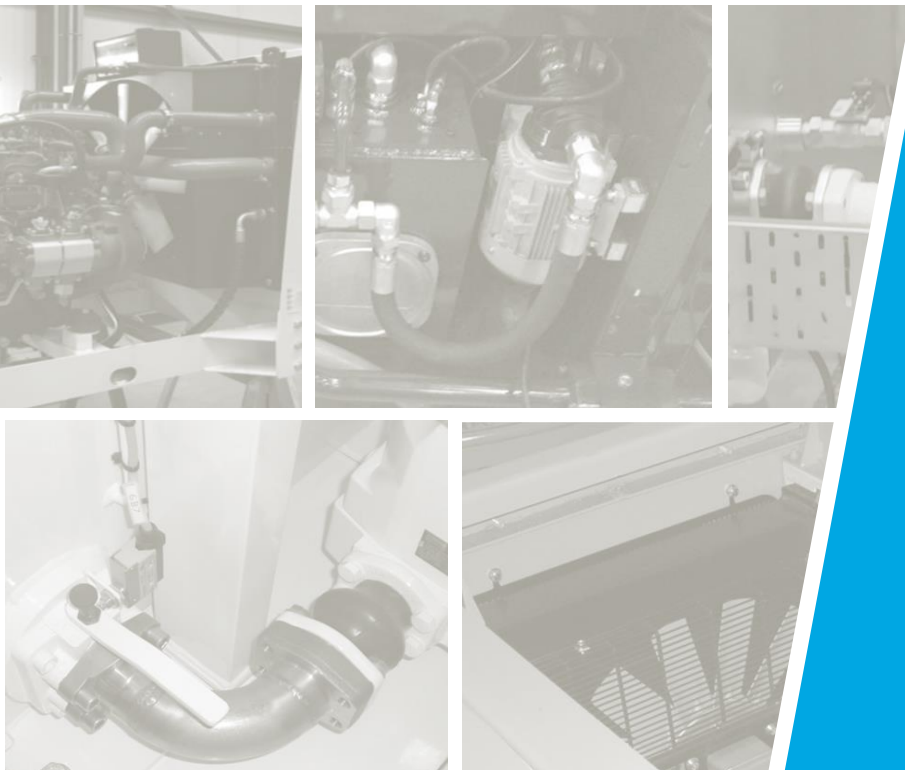
Fluid Controls/Pumps

The asa gerotor pump unit fulfills the requirements of a modern hydraulic system. The compactness of the gerotor pump design saves weight and space. Furthermore the solid shape of the pump is high resistant for hydraulic and mechanic impact loads. The low noise level and the flexible connection complete this product to a highly versatile and reliable system for various applications. The coupling with a high quality standard motor is the optimal choice for a durable pump unit.

- **20 to 110 lpm**
- **low pulsation**
- **high duration**



**be different.
make a difference.**



AUSTRIA

asa technology GmbH
Prager Strasse 280
A-1210, Vienna
Tel.: +43 1 292 40 20
support@asahydraulik.com

USA

asa hydraulik of America
160 Meister Avenue 20 A
Branchburg, New Jersey 08876
Tel.: +1 800 473 94 00
Tel.: +1 908 541 15 00
sales_us@asahydraulik.com

CHINA

安飒液压科技（苏州）有限公司
asa Hydraulik Technology (Suzhou) Co.Ltd
江苏省苏州市工业园区方洲路128号6区B幢
Area 6, Building B,
Fangzhou Road No 128,
Suzhou industrial park,
Suzhou City, Jiangsu Province
Tel.: +86 512 62381988
suzhou@asahydraulik.com

AUSTRALIA

asa Products Pty Ltd
Bentley Street 4/15
3016 Williamstown, Victoria
Tel.: +61 3 9397 6129
melbourne@asahydraulik.com

INDIA

ASAhdraulik India Pvt Ltd
C1/102/9, GIDC, Palej, Dt.Bharuch
Gujarat - 392220
Tel.: +91 22 28195557
salesindia@asahydraulik.com