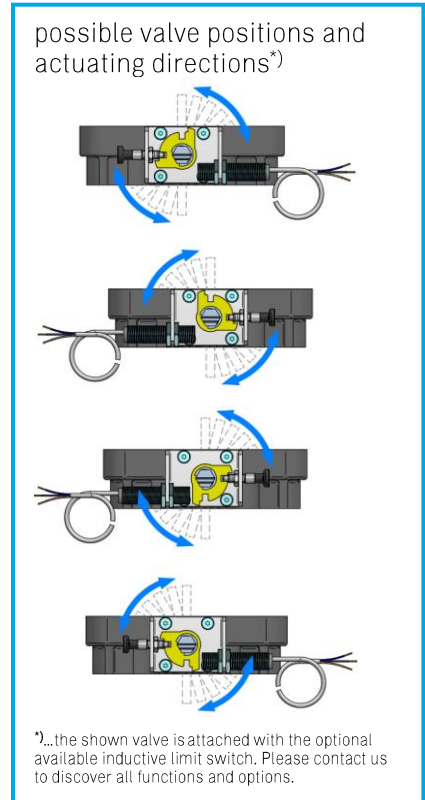
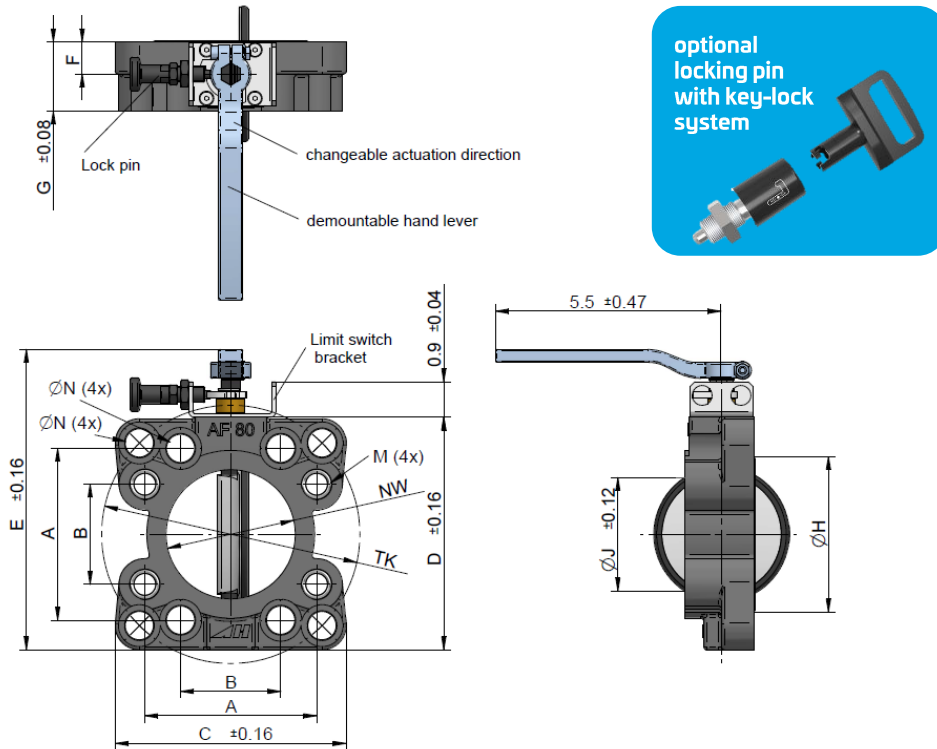


# Butterfly Flange

## SAE 1 1/2" to SAE 3" aluminum design



The asa butterfly flange with SAE and DIN connections allows the combination with an elastic element (rubber compensator) to make a short compensating and economical connection with the pump port. The lever position can be changed through our new mechanism. The handle direction (clockwise or counter clockwise) can be changed by turning the switch bracket. Please note that the butterfly flange may only be opened in mounted state and with greased or lubricated sealing. The adapter flange may only be welded with demounted butterfly flange. Please contact us for further information. Please contact us for further information at [sales\\_us@asahydraulik.com](mailto:sales_us@asahydraulik.com) or [www.asahydraulik.com](http://www.asahydraulik.com).



## Technical Data

order number	description	size	size	A	B	C	D	E	F	G	Ø H	J	M	Ø N	NW	TK	weight
		SAE	DIN	[in]	[in]	[in]	[in]	[in]	[in]	[in]	[in]	[in]	[in]	[in]	[in]	[in]	[lbs]
SDA0050AU00	AF 50 Alu.	2"	50	3.06	1.69	4.41	4.41	6.10	0.79	1.69	2.87	1.10	M12	0.51	1.89	4.92	2.31
SDA0063AU00	AF 63 Alu.	2 1/2"	65	3.50	2.00	4.37	4.69	6.34	0.79	1.69	3.27	2.01	M12	0.50	2.48	4.92	2.40
SDA0080AU00	AF 80 Alu.	3"	80	4.19	2.44	5.67	5.71	7.36	0.79	1.69	3.74	2.80	M16	0.69	3.15	6.30	3.26

## Working ranges

max. over pressure (open valve)	232 PSI
max. differential pressure (closed valve)	87 PSI
temperature range	-4°F to +176°F

## Materials

housing	aluminum
lever	steel
valve disc	aluminum
seals	NBR

## Options

limit switch	mechanical or inductive type
locking pin	SDARASTBELSSKU00
FPM sealings	contact us for the Viton valve range
spheroidal graphite cast irons version	sizes 1 1/2", 2", 2 1/2", 3", 4", 5" on request
stainless steel	sizes 2", 2 1/2", 3" on request



This data sheet and the corresponding scale drawings are to be used as a general guideline and technical overview of our products. Please contact us if more exact information is needed. As we are constantly improving our products, their characteristics, dimensions and weights may also change, although we do our best to incorporate these changes continually. asa assumes no liability for any information therein, any errors, omissions, misprints, nor any direct or indirect damages, losses or costs resulting therefrom. Any cooling performances and general technical values indicated in this catalogue are measured at a test bench according to asa testing procedures or calculated, based on such tests. They represent a basis for your product selection. Due to different conditions in testing and application environments the performance may also vary by +/- 15%. All sound values are determined in accordance with ISO 9614-2, DIN EN ISO 11203 accuracy class 3 or Machinery Directive 2006/42/EG and are A-rated. At some of the performance data, possible differences to competition data are possible. The reason to that are no existing standardized testing procedures on individual subjects, e.g. for cooling performance measurements. Therefore, we recommend all products to be checked under the system operating conditions. This is also true of vibrations and mechanical stress as well as for pressure peaks and thermal stress and any other relevant factors. General tolerances according to DIN ISO 2768-M, General tolerances for casted parts according to EN ISO 8062-3 (DCTG 10). Tolerances for rubber parts are according to ISO 3302-1 (class M4-F+C). The tolerances of welding seams are defined by quality group D according to EN ISO 10042, if it is not specified on the actual scale drawing or data sheet. Any form of liability is excluded for the information included in this datasheet. All details and calculation values are checked to the best of our ability, but these do not ensure any intrinsic product properties; due to the wide-ranging possible applications, it is advised that all technical data herewith included be confirmed through testing carried out by the end-user. asa technology Produktions- und Vertriebs GmbH reserves the right to modify the product without any separate notification. This refers to both technical data and the product itself. Furthermore, it is herewith specified that the datasheet does not substitute the corresponding scale drawings, assembly and installation guidelines, nor the operating instructions.

DD-butterfly-valves-alu-us-rev5 © asatechnology, April 2023 1/1