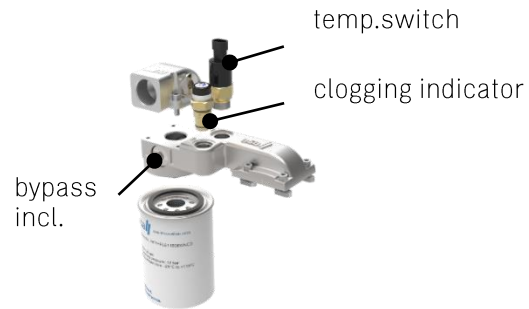
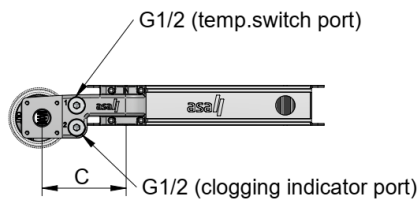
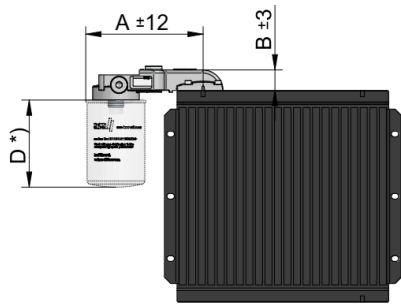


# Thermal Systems, Oil / Air Coolers

## Tank-Filter-Range / H-Set



The H-Set is an optional system to integrate another hydraulic set to the asa rail system. The H-Set currently offers 2 sizes of kits to mount a spin on filter to the cooler application. This is a very compact and cost efficient integration. This system can also be combined with various other filters or the shown configurations. Contact us for further options and assistance to select the optimal product for you.



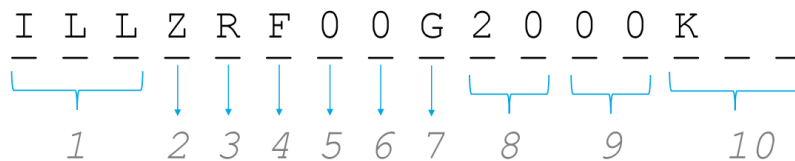
- compact filter integration
- standard spin on filter
- compatible to whole rail series

\*) depending on the make of the filter element

## Dimension

order number	description	filter rating	working pressure	bypass incl.	spin on port	A	B	C	D
		[µm]	[bar]	[bar]	[BSP]	[mm]	[mm]	[mm]	[mm]
ILLZRF11G2010	Spin on filter kit rail 10µm, 60lpm	10	10	2	3/4"	188	33	135	146
ILLZRF11G2025	Spin on filter kit rail 25µm, 60lpm	25	10	2	3/4"	188	33	135	146
ILLZRF12G2010	Spin on filter kit rail 10µm, 100lpm	10	10	2	3/4"	188	33	135	191
ILLZRF12G2025	Spin on filter kit rail 25µm, 100lpm	25	10	2	3/4"	188	33	135	191
ILLZRF21G3210	Spin on filter kit rail 10µm, 180lpm	-	10	2	1 ¼"	228	47	160	-
ILLZRF21G3225	Spin on filter kit rail 25µm, 180lpm	-	10	2	1 ¼"	228	47	160	-
ILLZRF22G3210	Spin on filter kit rail 10µm, 220lpm	-	10	2	1 ¼"	228	47	160	-
ILLZRF22G3225	Spin on filter kit rail 25µm, 220lpm	-	10	2	1 ¼"	228	47	160	-

## Article Code



### 1 Product Series

ILL	Oil/air coolers
-----	-----------------

### 2 Design Type

Z	Accessories
---	-------------

### 3 Design Type

R	Rail system
---	-------------

### 4 Design Type

F	Filter
---	--------

### 5 Spin on filter size

0	no filter
1	size 1 (Ø 92,6 mm)
2	size 2 (Ø 129 mm)

### 6 Spin on filter length

0	no filter
1	filter length (146mm, 181mm)
2	filter length (191mm, 240mm)

### 7 Connection standard

G	BSP
U	SAE o-ring (UNF)

### 8 Connection size

20	¾"
32	1 ¼"

### 9 Filter rating

00	no filter
10	10 µm
25	25 µm

### 10 Options

Bxx	Special / customized specifications, to be advised
K	standard kit

This data sheet and the corresponding scale drawings are to be used as a general guideline and technical overview of our products. Please contact us if more exact information is needed. As we are constantly improving our products, their characteristics, dimensions and weights may also change, although we do our best to incorporate these changes continually. asa assumes no liability for any information therein, any errors, omissions, misprints, nor any direct or indirect damages, losses or costs resulting therefrom. Any cooling performances and general technical values indicated in this catalogue are measured at a test bench according to asa testing procedures or calculated, based on such tests. They represent a basis for your product selection. Due to different conditions in testing and application environments the performance may also vary by +/- 15%. All sound values are determined in accordance with ISO 9614-2, DIN EN ISO 11203 accuracy class 3 or Machinery Directive 2006/42/EG and are A-rated. At some of the performance data, possible differences to competition data are possible. The reason to that are no existing standardized testing procedures on individual subjects, e.g. for cooling performance measurements. Therefore, we recommend all products to be checked under the system operating conditions. This is also true of vibrations and mechanical stress as well as for pressure peaks and thermal stress and any other relevant factors. General tolerances according to DIN ISO 2768-vL. General tolerances for casted parts according EN ISO 8062-3 (DCTG 10). Tolerances for rubber parts are according to ISO 3302-1 (class M4-F+C). The tolerances of welding seams are defined by quality group D according to EN ISO 10042, if it is not specified on the actual scale drawing or data sheet. Any form of liability is excluded for the information included in this datasheet. All details and calculation values are checked to the best of our ability, but these do not ensure any intrinsic product properties; due to the wide-ranging possible applications, it is advised that all technical data herewith included be confirmed through testing carried out by the end-user. asa technology Produktions- und Vertriebs GmbH reserves the right to modify the product without any separate notification. This refers to both technical data and the product itself. Furthermore, it is herewith specified that the datasheet does not substitute the corresponding scale drawings, assembly and installation guidelines, nor the operating instructions. DD-ILLZRF\_\_-en-rev1 © asa technology, May 2023 1/2

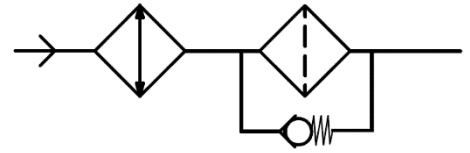
# Thermal Systems, Oil / Air Coolers

## Tank-Filter-Range / H-Set



### Rail-filter Block

material:	aluminium
working temperature range:	-20°C to +100°C (oil temperature)*
Sealing to rail flange:	o-ring NBR
bypass:	incl.2 bar standard setting



### Hydraulic Connection

compatible to	any rail system cooler
---------------	------------------------

### Application

main application	offline circuits, lubrication, cooling and filtration circuits
oil flow	from cooler to filter

### Options

temperature switches	ILLZTH5069K, ILLZTH4765K, ILLZTH6065K
clogging indicator / indication pressure 1,5 bar	electric: HFZVEG15K N.O. & N.C.contact optical: HFZVOG15K



\*...the indicated temperature is the maximum inlet temperature for the cooler radiator.  
Depending on the sealings in use, the application needs appropriate checking.